

# PLAT OF SURVEY

## THE SE1/4 OF THE SW1/4 OF SECTION 18, T. 33 N., R. 9 E., TOWN OF SUMMIT, LANGLADE COUNTY, WISCONSIN

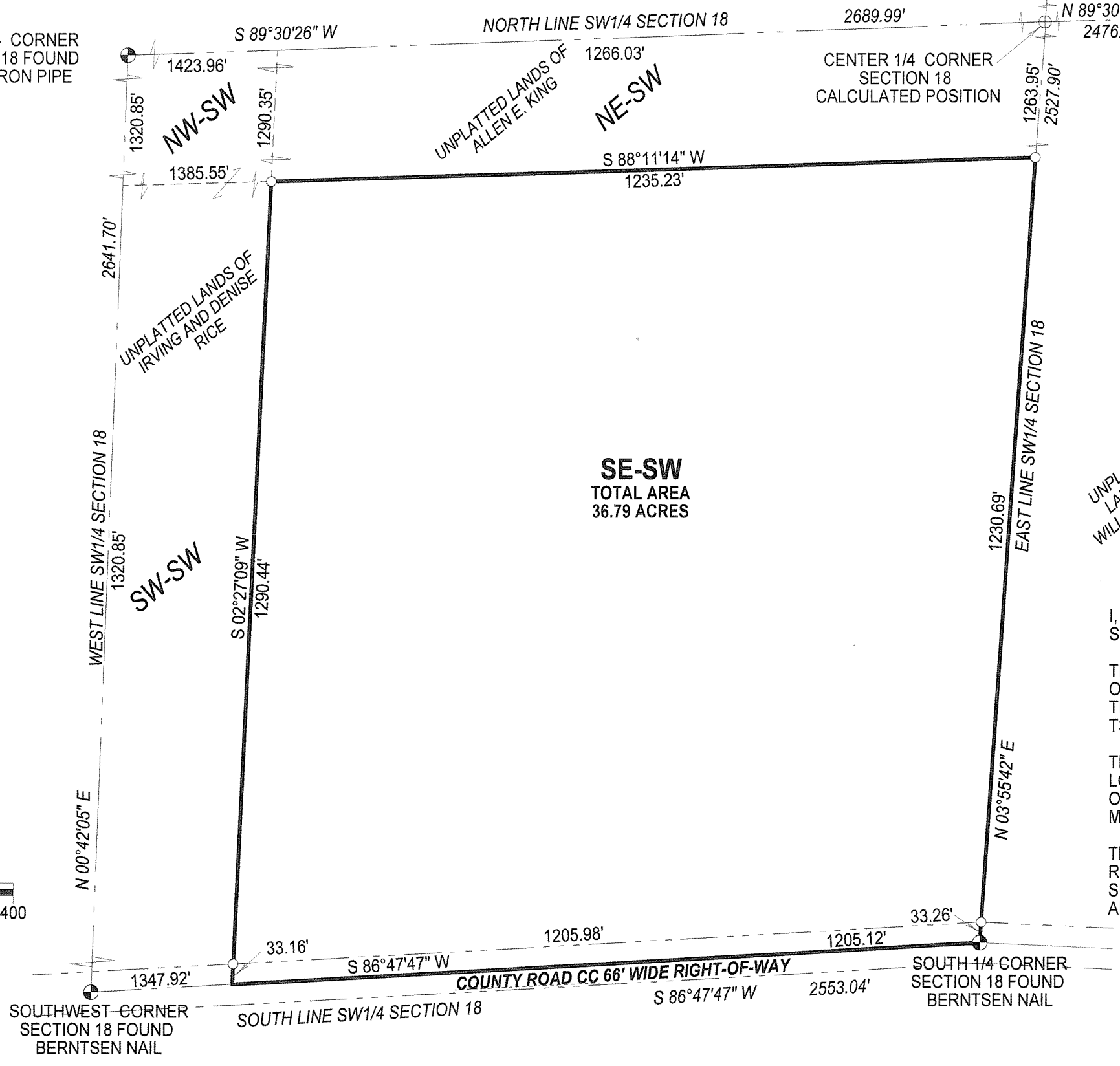
NORTH 1/4 CORNER  
SECTION 18 FOUND  
BRASS CAPPED IRON PIPE

EAST 1/4 CORNER  
SECTION 18 FOUND  
1.5 INCH CAPPED IRON PIPE

WEST 1/4 CORNER  
SECTION 18 FOUND  
1 INCH IRON PIPE

CENTER 1/4 CORNER  
SECTION 18  
CALCULATED POSITION

BEARINGS REFERENCED TO THE LANGLADE  
COUNTY COORDINATE SYSTEM GRID



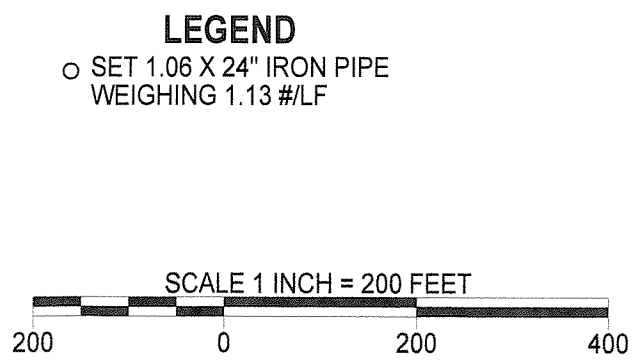
UNPLATTED  
LANDS OF  
WILLIAM WILDMAN

I, TIMOTHY J. RUSCH, REGISTERED LAND SURVEYOR, DO HEREBY CERTIFY:

THAT I HAVE SURVEYED AND MAPPED BY THE ORDER OF ROBERT POPP, A PARCEL BEING THE SE1/4 OF THE SW1/4 OF SECTION 18, T33N-R9E.

THAT THIS SURVEY WAS FOR THE PURPOSE OF LOCATING PROPERTY BOUNDARIES ONLY. OTHER GEOGRAPHICAL FEATURES WERE NOT MAPPED.

THAT THIS IS A TRUE AND CORRECT REPRESENTATION OF THE BOUNDARIES SURVEYED TO THE BEST OF MY KNOWLEDGE AND BELIEF.



SURVEYD BY:  
RUSCH ENGINEERING & SURVEYING LLC  
400 RUSCH ROAD  
ANTIGO, WI 54409  
(715)623-5044  
PROJECT # 06-4533

SOUTHWEST-CORNER  
SECTION 18 FOUND  
BERNTSEN NAIL

SOUTH 1/4 CORNER  
SECTION 18 FOUND  
BERNTSEN NAIL

RECORD # 20322  
LANGLADE COUNTY SURVEYORS OFFICE  
DATE FILED: 12/1/06 BY: D. Rusch